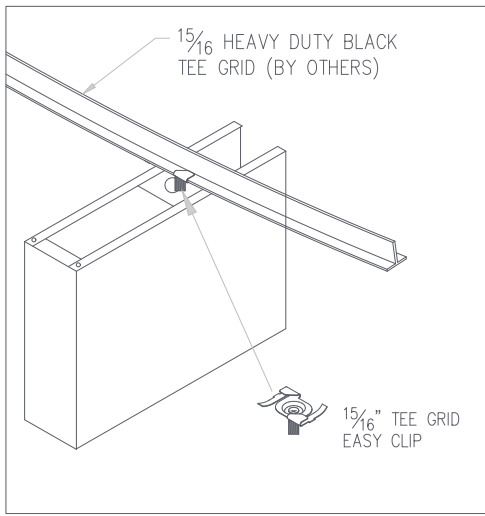


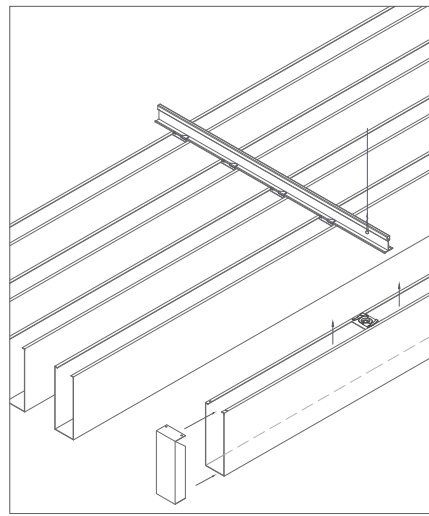
Custom Architectural Designs' Baffle Ceiling System C-100 Easy-Clip consists of precision, factory detailed baffles attached with a easy clip fastener suspended from standard T-grid attached to the structure above. A variety of perimeter and transition details are available with the baffle system. Easy-clip attachment allows for permanent attachment, but also allows for owner accessibility for maintenance and safety inspections.



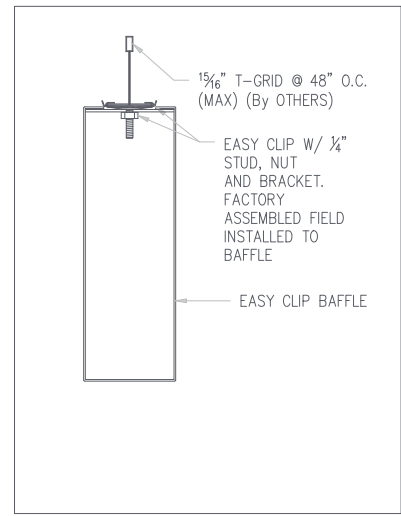
Material	Aluminum or galvanized steel (20-60% recycled content)
Panel Size	1"x4", 2"x4", 2"x6", and 2"x8" at 96" lengths and custom sizes available upon request
Color & Finish	Standard powder coat colors in white, silver, grey in matte and semi-gloss finish
Faux Wood	Faux wood films available in 16 wood species
Perforations	Full line of perforations is available
Acoustics	Acoustical fleece and/or insulation
Joints	Space will be based on project specifications
Substructure	Standard 15/16th, custom grid available upon request
Perimeter Trim	L-angle, shadow mold, C-channel, extruded trim are available
System Height	Panels hang 4-7/8" — 8-7/8" below the grid
Weight	Approximately .5 to 1 lbs/linear foot
NRC	Perforated panels NRC .65 — .90
Fire	ASTM E-84, Class A rating
Sustainability	Our finishes and substrates are all independently sourced from certified vendors.
Warranty	10-year warranty, 20-year warranty available with a life cycle of 30 years



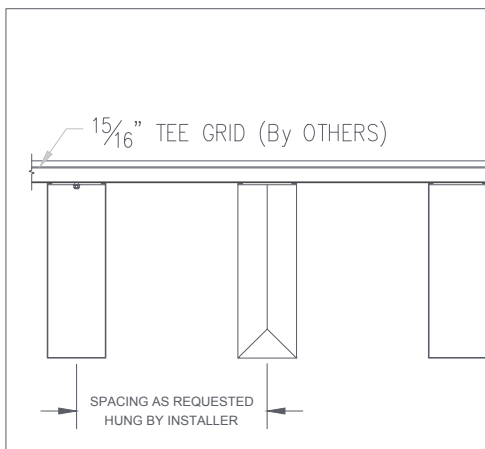
EASY CLIP ATTACHMENT



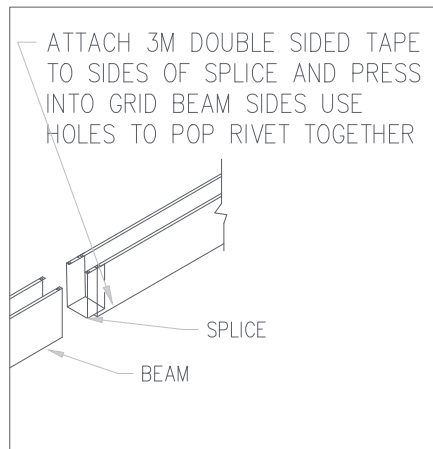
TYPICAL INSTALL



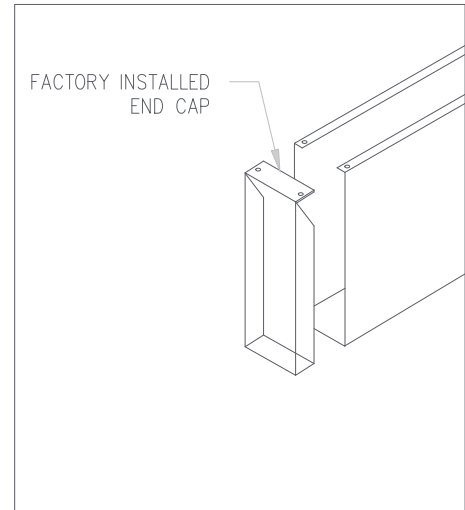
TYPICAL SECTION



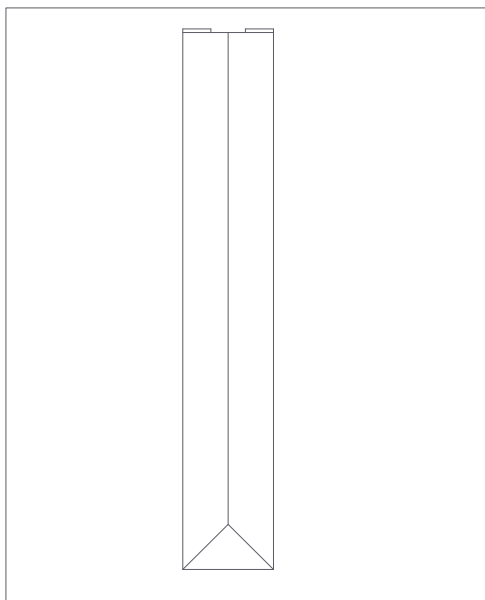
CROSS SECTION DETAIL



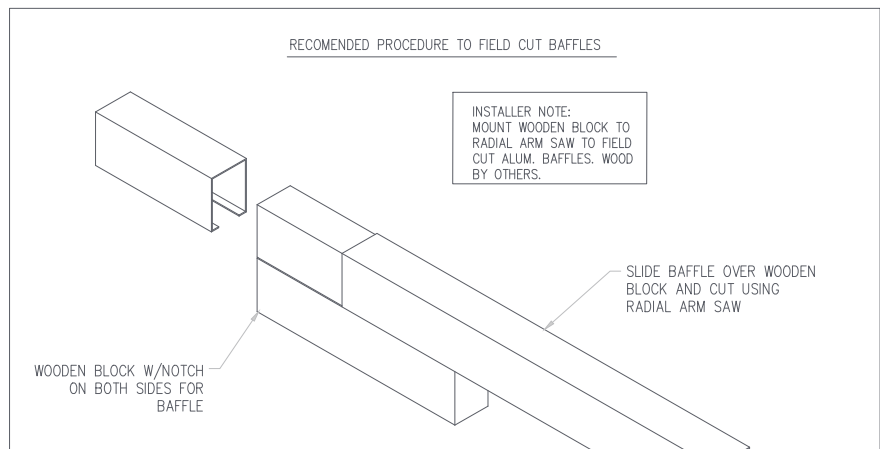
TYPICAL SPLICE INSTALL



TYPICAL END CAP INSTALL



GIFT WRAP DETAIL



FIELD CUT DETAIL

UNPARALLELED DESIGN. UNMATCHED QUALITY.