

Custom Architectural Designs' line of column covers offers architects superior design flexibility for structural beam application, both interior and exterior. We offer a wide range of materials, including aluminum and stainless steel, in an unmatched range of standard and custom finishes. Custom Architectural Designs can custom fabricate to meet the most demanding specifications.



Material Aluminum, stainless or Galvannealed steel (20-60% recycled content)

Size & Shape Configuration of round, halves, quarters, oblong, elliptical, and square (up to 12' without seams)

Color & Finish 2-coat and 3-coat liquid Kynar applications are 70% PVDF, powder coated Kynar, sublimation wood look, anodized aluminum finishes, as well as all stainless-steel finishes, custom colors available upon request

Perforations Full line of perforations available

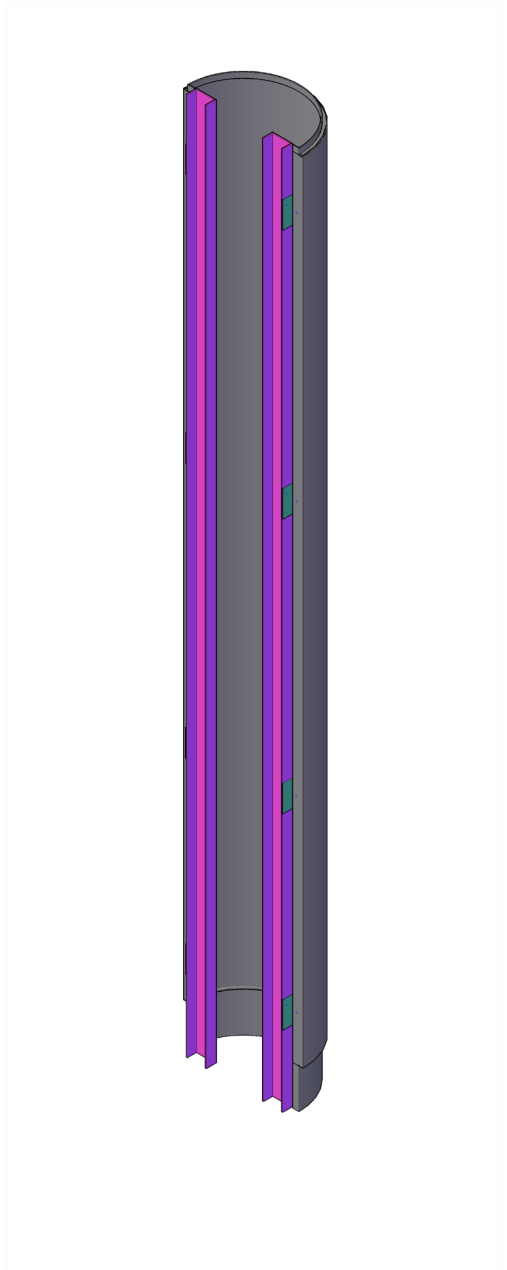
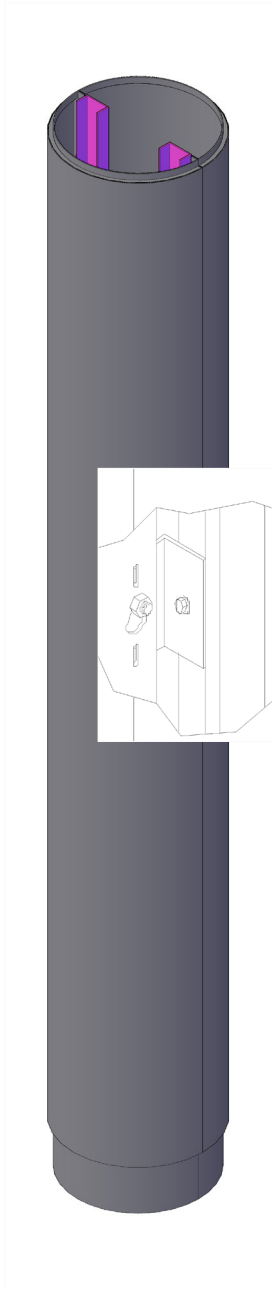
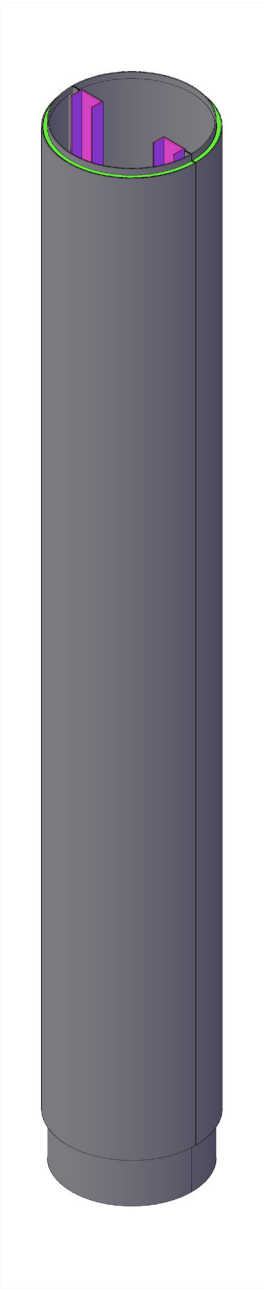
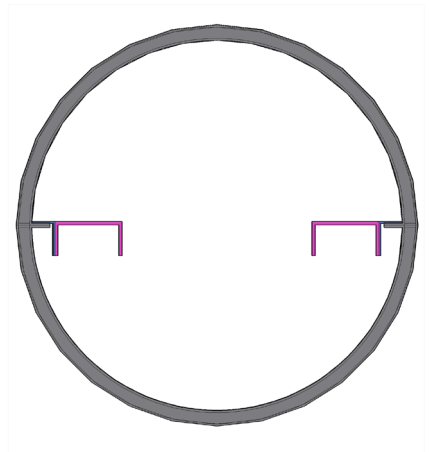
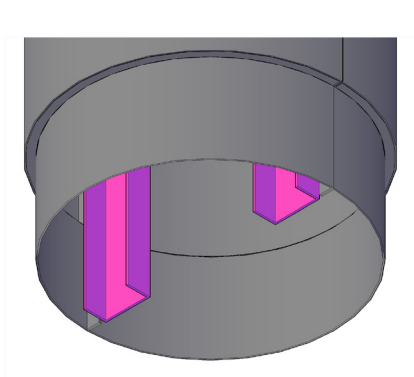
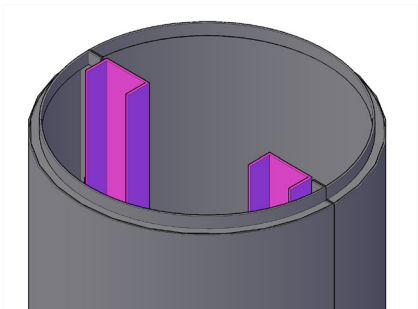
Acoustics Sound deadening tape and/or mastic

Joints Based on project specifications, we offer hairline joints and inset reveals both vertically and horizontally, bottom and top reveals or top caps.

Fire Class ASTM E-84, Class A rating

Sustainability Our finishes and substrates are all independently sourced from certified vendors.

Warranty 10-year warranty, 20-year warranty available with 30-year life cycle



Custom Archictectural Designs

1700 Maple Avenue SW, Rome, GA 30161 | customarchitecturaldesigns.com

UNPARALLELED DESIGN. UNMATCHED QUALITY.