

# CUSTOM ARCHITECTURAL DESIGNS

EST. 1989

# C-400

## Expanded Metal

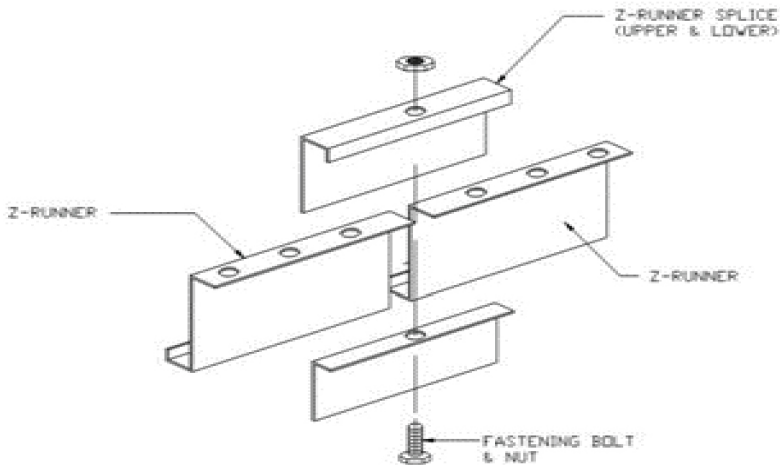
Custom Architectural Designs' expanded metal ceiling panel systems consist of precision, factory detailed panels attached to a concealed carrier suspended from the structure above. A variety of perimeter and transition details are available with the expanded metal panel system. The hook-on attachment allows for permanent attachment, but also allows for owner accessibility for maintenance and safety inspections.

Project Dayton – Black Hook on System with curved trims Matte Black.

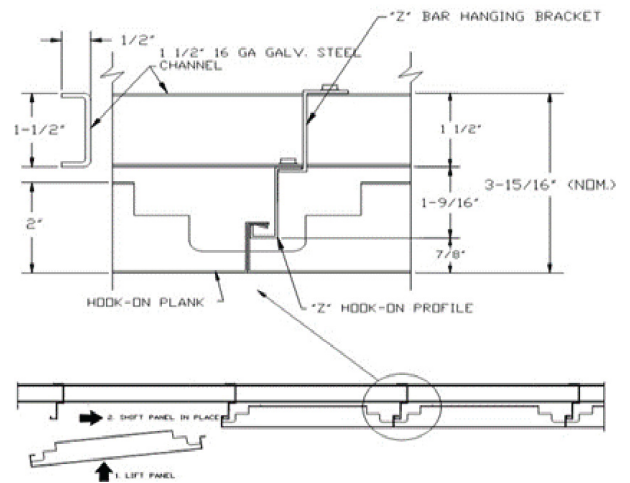


<b>Material</b>	Aluminum or galvanized steel (20-60% recycle content)
<b>Panel Width</b>	24" wide standard, custom widths available upon request
<b>Color &amp; Finish</b>	Standard powder coat colors in white, silver, and grey in matte and semi-gloss finishes, custom colors available
<b>Patterns</b>	Full line of patterns is available
<b>Acoustics</b>	Polybag insulation
<b>Joints</b>	Butt joint standard, reveals available upon request
<b>Substructure</b>	J-bar hook on suspension
<b>Perimeter Trim</b>	L-angle, shadow mold, C-channel, extruded trim are available
<b>System Height</b>	Approximately 4" plenum space required
<b>Weight</b>	Approximately 3 to 3.5 lbs/sq ft
<b>NRC</b>	Perforated panels NRC .15 — .90
<b>Fire Class</b>	ASTM E-84, Class A rating
<b>Sustainability</b>	Our finishes and substrates are all independently sourced from certified vendors.
<b>Warranty</b>	10-year warranty, 20-year warranty available with a life cycle of 30 years

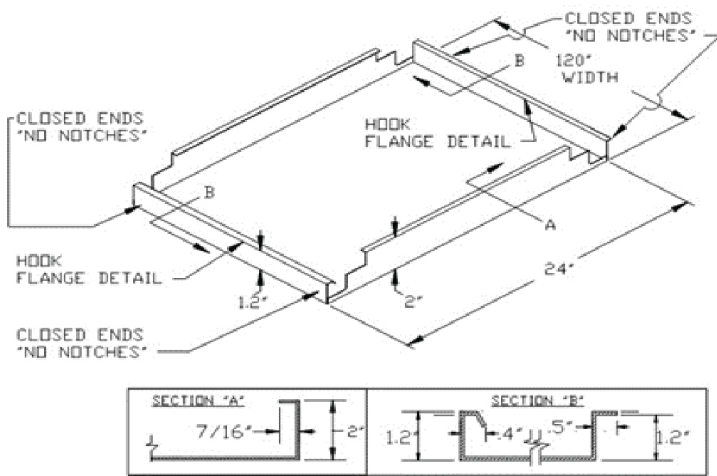
### HOOK-ON PROFILE SPLICE



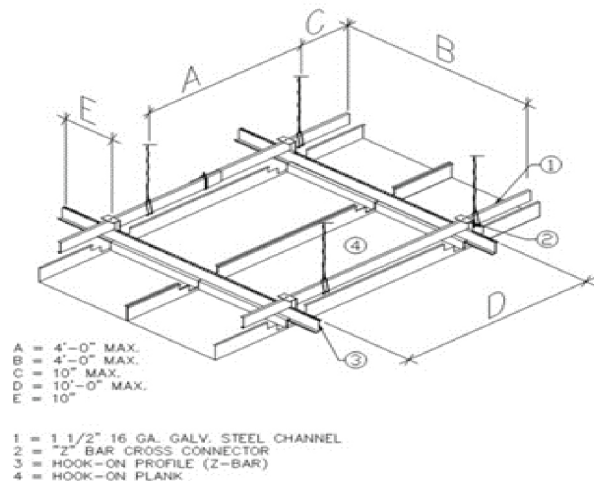
### "Z" HOOK-ON PROFILE SECTION - PLANK



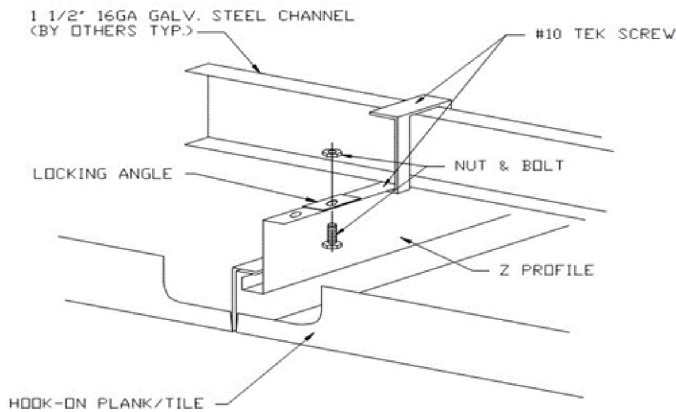
### HOOK-ON PLANK "C-C"



### HOOK-ON PLANK SUSPENSION



### HOOK-ON SUSPENSION WITH LOCKING ANGLE



### LOCKING ANGLE

